



# EVX 12750

## 12V 75.0Ah

EVX 12750 is designed specially for electric vehicles, such as electric golf cart, electric wheelchair, mower, dust collector...etc. It has high cycling life, high efficiency and long service life.



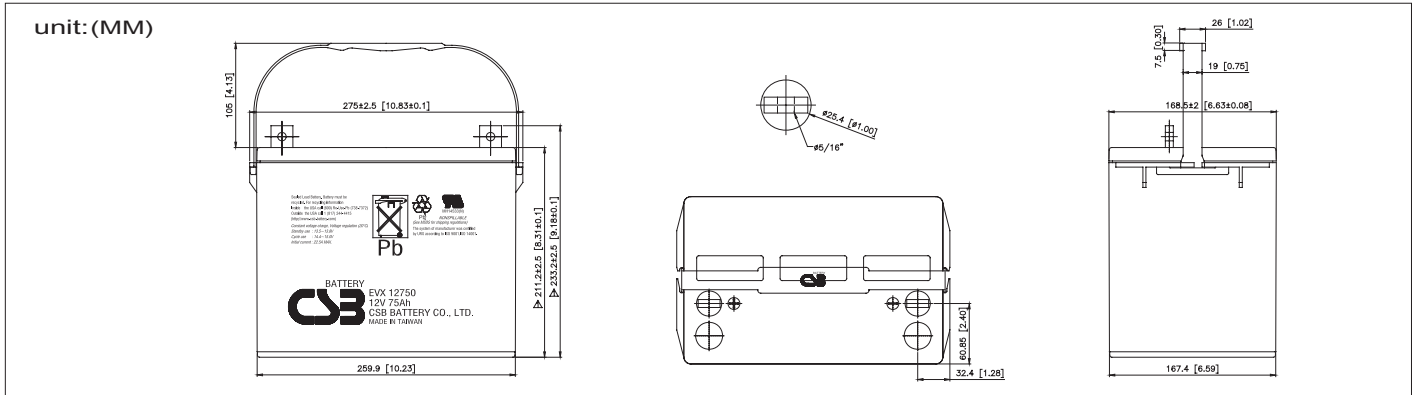
### Specification

<b>Cells Per Unit</b>	6
<b>Voltage Per Unit</b>	12
<b>Capacity</b>	75Ah @ 20hr-rate to 1.75V per cell @25 °C (77°F)
<b>Weight</b>	Approx. 26.8kg(58.96 lbs)
<b>Maximum Discharge Current</b>	500A(5sec)
<b>Internal Resistance</b>	Approx. 8mΩ
<b>Operating Temperature Range</b>	Discharge: -20°C~50°C (-4°F~122°F) Charge: 0°C~40°C (32°F~104°F) Storage: -20°C~40°C (-4°F~104°F)
<b>Nominal Operating Temperature Range</b>	25°C±3°C (77°F±5°F)
<b>Float Charging Voltage</b>	13.5 to 13.8 VDC/unit Average at 25°C (77°F)
<b>Recommended Maximum Charging Current Limit</b>	21.0A
<b>Equalization and Cycle Service</b>	14.4 to 15.0 VDC/unit Average at 25°C (77°F)
<b>Self Discharge</b>	CSB Batteries can be stored for more than 6 months at 25°C (77°F). Please charge batteries before using. For higher temperatures the time interval will be shorter.
<b>Terminal</b>	Bolt & Nut
<b>Container Material</b>	-ABS (UL94-HB)*Flammability resistance of UL94-V0 can be available upon request.



CSB-manufactured batteries are UL-recognized components under UL924 and UL1989. CSB is also certified by ISO 9001 and ISO 14001.

### Dimensions



### Constant Current Discharge Characteristics Unit:A (25°C ,77°F)

F.V/Time	30MIN	60MIN	90MIN	2HR	3HR	4HR	5HR	8HR	10HR	20HR
1.60V	83.20	49.30	35.70	28.10	19.90	15.60	12.80	8.35	6.82	3.84
1.67V	82.50	48.90	35.30	27.70	19.70	15.40	12.70	8.23	6.72	3.79
1.70V	82.00	48.50	35.00	27.50	19.60	15.30	12.60	8.20	6.69	3.77
1.75V	80.80	48.20	34.60	27.30	19.40	15.20	12.50	8.16	6.66	3.75
1.80V	78.00	47.00	33.90	26.80	19.20	15.00	12.30	8.05	6.57	3.72
1.85V	73.30	44.40	32.50	25.70	18.60	14.60	12.00	7.89	6.47	3.68

### Constant Power Discharge Characteristics Unit:W (25°C ,77°F)

F.V/Time	30MIN	60MIN	90MIN	2HR	3HR	4HR	5HR	8HR	10HR	20HR
1.60V	924.00	538.00	392.00	313.00	226.00	177.00	146.00	95.20	77.50	41.40
1.67V	915.00	531.00	387.00	308.00	221.00	174.00	143.00	94.10	76.90	41.20
1.70V	914.00	527.00	383.00	304.00	219.00	172.00	142.00	93.70	76.70	41.00
1.75V	903.00	520.00	378.00	300.00	216.00	170.00	140.00	92.80	76.00	40.70
1.80V	875.00	510.00	372.00	297.00	214.00	168.00	139.00	92.00	75.50	40.60
1.85V	813.00	484.00	359.00	288.00	210.00	165.00	137.00	90.30	74.20	39.80

• All mentioned values are average values.

